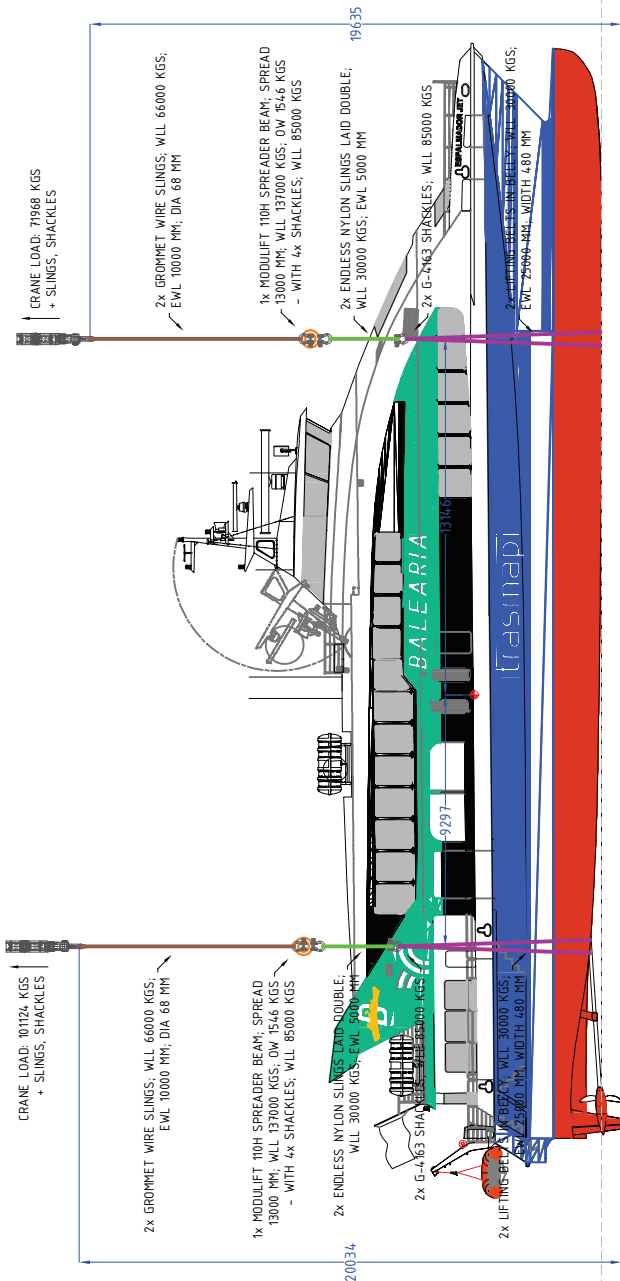
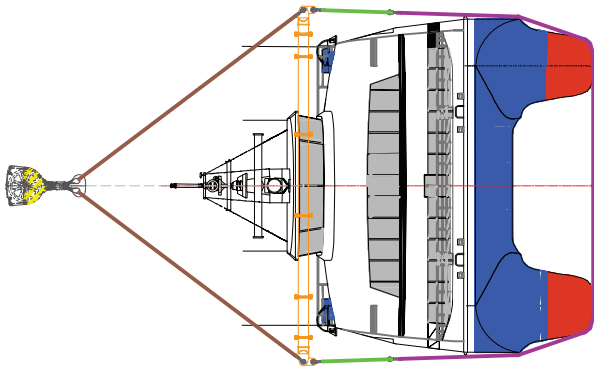


REAR ELEVATION



PROFILE



FRONT ELEVATION



AUSTRALIAN FRAME SPACING

NOTES DIMENSIONS IN MM.

TITLE	PROJECT	TBN
MODEL	ACCOUNT	
DRAWING NO	DESIGNATORY	
LOAD NO	LOAD NO	
LOAD DATE	LOAD DATE	
41750x75500x2370 MM (MAST FOLDED)		
PACIFIC DAWN		
1 OF 1	FORMAT	A4
	SHEET	